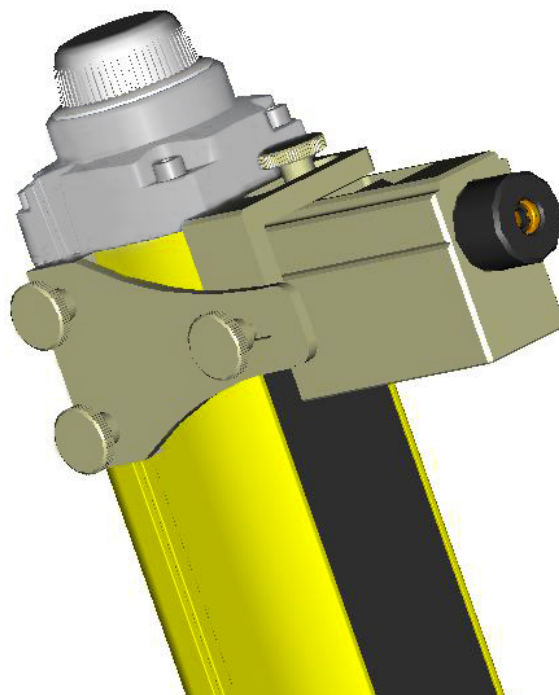


Original instructions

# Orion accessory for an easier alignment

## Orion Laser



While every effort has been taken to ensure the accuracy of information contained in this book and any associated promotional and information material ABB Jokab Safety cannot accept responsibility for errors or omissions and reserves the right to make any improvements without notice. It is the user's responsibility to ensure that this equipment is correctly designed, specified, installed, cared for and operated to meet all applicable local, national and international codes/regulations. Technical data in our book is correct to the level of accuracy of ABB Jokab Safety's test procedures as verified by various international approved bodies. Other information (such as application examples, wiring diagrams, operation or use) is intended solely to illustrate the various uses of our products. ABB Jokab Safety does not guarantee or imply that the product when used in accordance with such examples in a particular environment will fulfil any particular safety requirement and does not assume any responsibility or liability for actual use of the product based on the examples given.

## Notes and Warnings

- The Orion Laser uses a red laser light beam that can be potentially dangerous to the human eye. Do not stare directly at the light beam.



- The laser pointer is powered by two 1.5 V AAA type batteries. Make sure to respect right polarity.
- Battery replacement



Figure 1

With a common cross head screw driver, remove the 2 TSP UNI 7688 M2, 5x8 screws from the bottom closing cap. Then remove the cap to have access to the battery box. Take out the battery box, extract the two batteries and replace with new ones. Place the battery box back in its place, close with the cap and firmly tighten the screws. See Figure 1.



- Exhausted batteries are designated for separate collection at an appropriate collection point.
- Do not dispose of them as household waste.
- For more information, contact the local authorities in charge of waste management.

## Installation

- Install the two units of the Orion AOPD as described in the paragraph “Mechanical mounting” of the instruction manual of the AOPD. The use of floor stands is recommended, making sure that they are firmly fixed and that their axis is perpendicular to the floor.
- Orion Laser is installed on the profile of the Orion AOPD using one of the two lateral grooves. Depending on which kind of fixing bracket is used, the laser pointer can be mounted side way or slotted from the top. Side mounting is compulsory when the Orion AOPD is mounted with rotation brackets.

### Top Mounting

- Insert the “b” ensemble inside the lateral groove keeping the couple of cams in vertical position (Figure 2) until the right position is reached. See Figure 4.

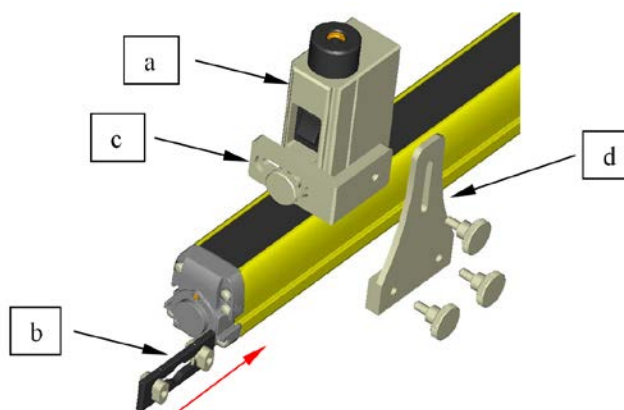


Figure 2

## Side Mounting

1. Insert the “b” ensemble abutting on the curtain side corresponding to the lateral groove. Keep the couple of cams in horizontal position (Figure 3) and after they have entered the groove, rotate them 90°. See Figure 4.

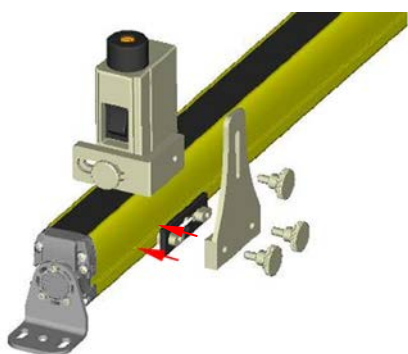


Figure 3

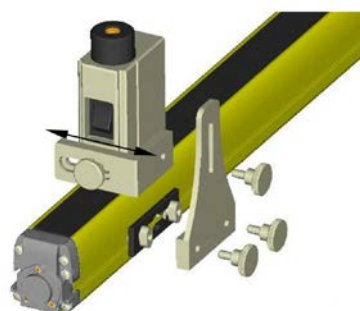


Figure 4

2. Bring the “d” bracket close to the “b” ensemble completely and tighten the knurled knobs to firmly fix the system.
3. Fix the “c” bracket to the “a” ensemble using one of the four knurled knobs, without tightening it completely in order to allow the mutual adjustment between “c” bracket and the laser pointer itself. See Figure 4.
4. As shown in the previous figures, it is enough to place the obtained assembly on the light curtain front panel to have a first rough positioning. Then, bring the “d” bracket close to the “b” ensemble, tightening completely the corresponding knurled knobs. See Figure 5.

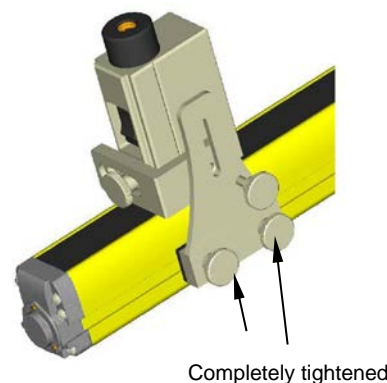


Figure 5

5. At this point, screw the last knob fixing together both the “c” and “d” brackets. Tighten the knob firmly keeping the laser pointer group close to the front panel of the AOPD. See Figure 6.

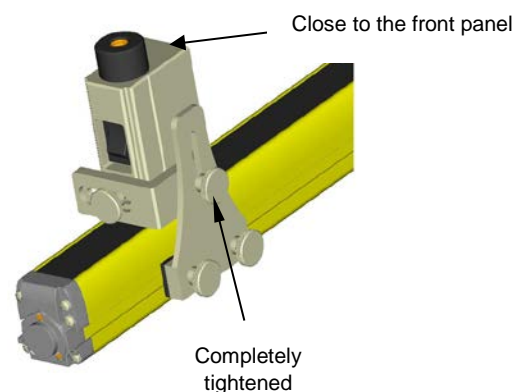


Figure 6

The laser pointer is positioned inside the detection field of the AOPD and thus inhibits the functioning during the alignment phase. In case of AOPD for access control, this inconvenience can be avoided by positioning the laser pointer in a zone not affected by optical groups. The function of the AOPD is thus not inhibited and the result of the alignment can be observed directly on the signalling LEDs of the receiver.

## Alignment

1. Power on the laser pointer using the dedicated switch. Orientate the transmitter so that the laser beam hits the receiver at the same height as the pointer.

NB: The holes of the fixing bracket or the rotation brackets, available as accessories, can be used to orientate the unit, allowing angle adjustment along the vertical unit axis. If necessary, the inclination of the floor stand can be changed by simply mounting washers under the base.

2. Repeat this procedure, inserting the pointer in the lower part of the transmitter. If necessary repeat this procedure until the desired result is obtained.
3. Insert the laser pointer in the upper part of the receiver and orientate the receiver so that the laser beam hits the transmitter as indicated.
4. Repeat this procedure, inserting the laser pointer in the lower part of the receiver.
5. After this operation, fix the position of the AOPD, remove the laser pointer, switch on the AOPD and verify the correct alignment. Finally, center the laser pointer transversal position keeping it close to the front panel, fix definitively. See Figure 7.

NB: It might be necessary to carry out small adjustments to the alignment of the two units of the AOPD by following the regular Alignment procedure described in the Instruction Manual of the AOPD.

## Fixing

1. To disengage the laser pointer, totally unscrew the knobs shown on Figure 7 and unscrew partially the other ones.
2. Firmly fix the transmitter and the receiver.

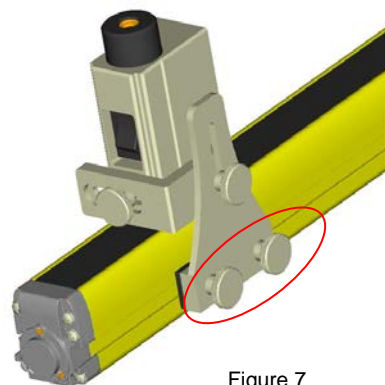
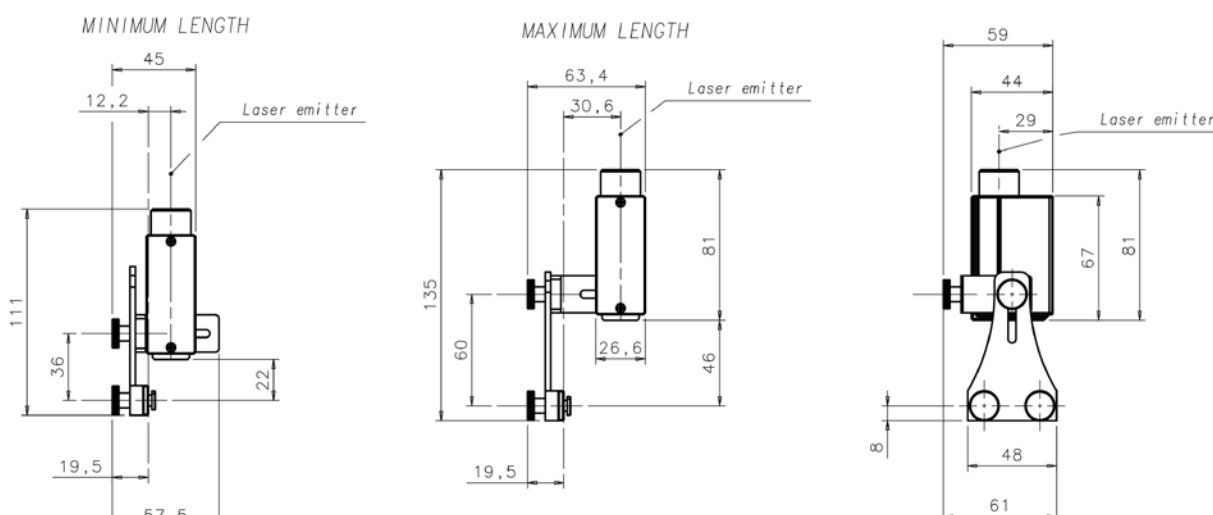


Figure 7

## Model overview

Type	Article number	Corresponding AOPDs
Orion Laser	2TLA022310R5000	All Orion AOPDs

## Dimensions



NB: All dimensions in millimetres.