

Emergency stop with indication Smile 11 EAR AS-i



Approvals:



Application:

- To stop a machine or a process
- Safe input node in AS-i systems

Features:

- LED indication for easier troubleshooting
- Less cabling
- Simple M12 connection
- Small size
- Up to PL e/Cat. 4 acc. to EN ISO 13849-1

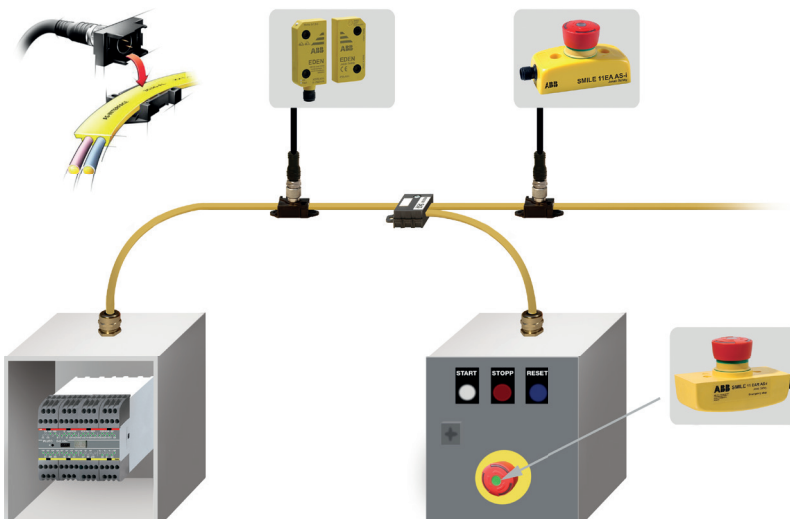
Smile 11 EAR AS-i is

- an illuminated emergency stop button
- designed for panel mounting
- equipped with a built-in safe AS-i input node.

Smile 11 EAR AS-i can quickly and easily be connected to the yellow AS-i cable via a M12 connector (see Figure), thus reducing cabling and installation time and increasing placing flexibility.

Smile 11 EAR AS-i offers extensive indication possibilities that facilitate troubleshooting. Its indication lamps can even be programmed by the user and adapted to specific needs.

With its very compact dimensions, Smile 11 EAR AS-i takes very little place in the electrical cabinet.



Technical data – Smile

Article number	Smile 11 EAR AS-i	2TLA030052R0200
AS-i data	AS-i profile	S-7.B.0
Addressing	M12-contact	
Node address on delivery		0
Response time across the AS-i bus		5 ms (+ response time for safety monitor)
Pin configuration	(1)	AS-i +
	(2)	Not used
	(3)	AS-i -
	(4)	Not used
	(5)	Not used
Operating voltage		30 VDC from the AS-i bus. Tolerance 26.5 – 31.6 VDC.
Total current consumption		< 60 mA
Protection class		IP65
Ambient temperature		-25...+50°C
Dimensions		57 x 40 x 84 (+12,5 mm M12 contact) (HxWxL)
Colour		Yellow, red
Actuating force		22 ±4 N
Actuating travel		Approx. 4 mm to latch
Mechanical life		> 50 000 operations
PFH _D		6.95 x 10 ⁻⁹
Level of safety	EN ISO 13849-1	Up to PL e/Cat. 4 depending upon system architecture
	EN 62061	MTTF _a : high
	IEC/EN 61508-1...7	SIL 3 depending upon system architecture
		SIL 3, PFD _{avr} : 2.95 x 10 ⁻⁵ , PFH _D : 6.95*10 ⁻⁹
Accessories	Emergency Stop Sign S DK FIN, 32.5 mm	2TLA030054R0700
	Emergency Stop Sign EN F D, 32.5 mm	2TLA030054R0800
	Emergency Stop Sign (blank), 32.5 mm	2TLA030054R1000
	Smile side shield	2TLA030054R1100
Conformity		EN ISO 12100:2010, EN ISO 13849-1:2008/AC:2009, EN ISO 13849-2:2008, EN 60204-1:2007+A1, EN ISO 13850:2006

LED in emergency stop button

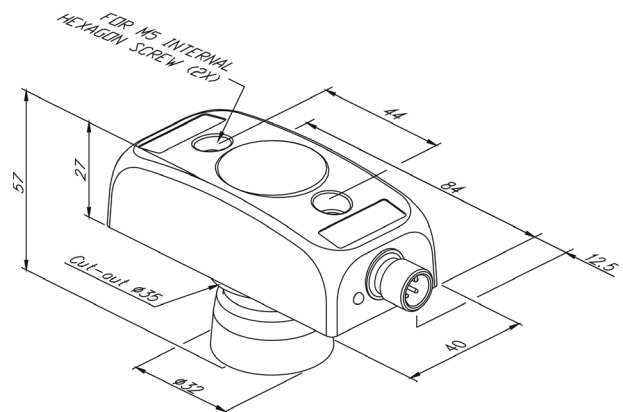
LED is individually programmed in the PLC program as shown below.

LED in push button	Indicator	Description
Red	ON	Output bit 1 ON
	OFF	Output bit 1 OFF or Output bits 1 & 2 ON
Green	ON	Output bit 2 ON
	OFF	Output bit 1 OFF or Output bits 1 & 2 ON

AS-i LED and Fault LED

in combination LED pair at the M12 contact.

AS-i (Green)	Fault Red)	Description
OFF	OFF	AS-i voltage missing
ON	OFF	Normal operation
OFF	ON	No data exchange with master
Flash	ON	No data exchange due to address = 0



Smile 11 EAR AS-i