

Deviating mirrors for light curtains

Orion1 Mirror xxx



Application:

- Perimeter protection

Features:

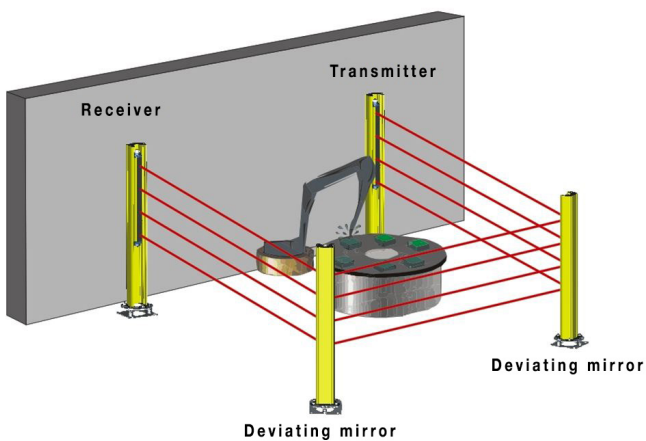
- Length from 600 mm to 1900 mm
- Compatible with Orion Stand

Orion1 deviating mirrors are used to reflect the beams of the transmitter toward the receiver when the two units are not in front of each other, e.g. perimeter protection. Orion1 Mirrors are available in different lengths and can be used with all Orion1 light curtains, both Base and Extended.

Orion1 Mirror can be mounted directly on a wall with JSM Orion10 or inside a protective Orion Stand with JSM Orion11. Orion Stand provides a good protection against shocks.

Easy Installation

Orion Stand Plate facilitates the adjustment of the Orion Stand and the use of Orion Laser is recommended to simplify the alignment of the system.



Deviating mirrors reduce the operating range

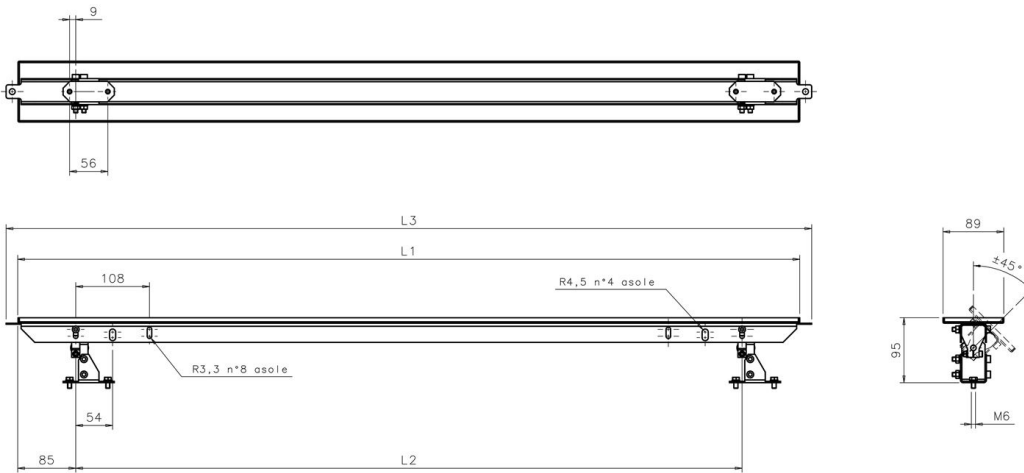
No more than three deviating mirrors should be used along the same optical path.

Each mirror decreases the operating range. The operating range is decreased to:

- 85% of the nominal range with one mirror,
- 65% with two mirrors and
- 50% with three mirrors.

Perimeter protection with two Orion1 Mirrors in Orion Stands.

Ordering information and dimensions



Article number	Model	Used with*	L1 (mm)	L2 (mm)	L3 (mm)
2TLA022311R0100	Orion1 Mirror 060	Up to Orion1-4-xx-045-x	545	376	580
2TLA022311R0200	Orion1 Mirror 090	Up to Orion1-4-xx-075-x	845	676	880
2TLA022311R0300	Orion1 Mirror 120	Up to Orion1-4-xx-105-x	1145	976	1180
2TLA022311R0400	Orion1 Mirror 165	Up to Orion1-4-xx-150-x	1595	1426	1630
2TLA022311R0500	Orion1 Mirror 190	Up to Orion1-4-xx-180-x	1845	1676	1880

Note: All Orion1 Mirror are exclusive Orion Stand

* The length of the mirror must be at least 100 mm longer than the protected height of the light curtain.

Accessories

Article number	Model	Description
2TLA022312R0000	Orion Stand 060	Fits Orion1 Mirror 060 and shorter.
2TLA022312R0100	Orion Stand 100	Fits Orion1 Mirror 090 and shorter.
2TLA022312R0200	Orion Stand 120	Fits Orion1 Mirror 120 and shorter.
2TLA022312R0300	Orion Stand 165	Fits Orion1 Mirror 165 and shorter.
2TLA022312R0400	Orion Stand 190	Fits Orion1 Mirror 190 and shorter.
2TLA022310R0800	JSM Orion10	Kit for mounting Orion1 Mirror on a wall
2TLA022310R0900	JSM Orion11	Kit for mounting Orion1 Mirror in Stand
2TLA022312R5000	Orion Stand Plate	Orion Plate kit for adjustment of protective stand
2TLA022310R5000	Orion Laser	Orion Laser pointer

Note: In order to choose the right Stand, take into account the protected height and the height of the lower beam from the floor.

ABB AB

Jokab Safety

Varlabergsvägen 11

SE-434 39 Kungsbacka

Tel. +46 (0) 21-32 50 00

www.abb.com/jokabsafety



Power and productivity
for a better world™

