

# Coded Non-Contact Safety Sensor Eden Dynamic



## Approvals:



## Application:

- Door and hatches
- Position control
- Sector detection

## Features:

- Non-contact detection, 0-15 mm
- Up to 30 devices in series with PL e
- High level coded
- Local reset function
- Protection class IP69K

Eden Dynamic is a coded non-contact safety sensor used as interlocking device with a Vital safety module or a Pluto safety PLC. Eden consists of Adam and Eva.

### Highest level of safety with less devices

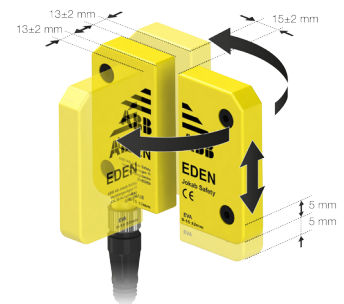
Eden Dynamic makes it possible to reach a PLe: with only one Eden Dynamic per guard and no need for periodic checks (see ISO/TR 24119) and also, with several Eden Dynamic and even other types of safety devices connected in series. With Eva Unique Code, Eden Dynamic is a high level coded sensor to be used when the motivation to defeat the safety sensor has not been totally eliminated. (See EN ISO 14119:2013)

### Reduced installation time

A local reset light button can be connected directly to Adam DYN-Reset, thus saving cable length and Vital safety modules/PLC inputs. Adam DYN-Reset monitors the reset function and manages the reset lamp. Eden Dynamic large mounting tolerance, compact dimensions and 360° mounting possibility facilitate its placing. Its M12 connector speeds up installation and exchange.

### Increased productivity

Eden Dynamic extensive indication and information output facilitates troubleshooting, thus reducing downtime. The large sensing distance gives a better tolerance to vibrations and minimises the risk of involuntary stops. With an IP69K protection class as standard and a wide operating temperature range, Eden Dynamic can withstand extreme environments.



Flexible mounting and long sensing distance.



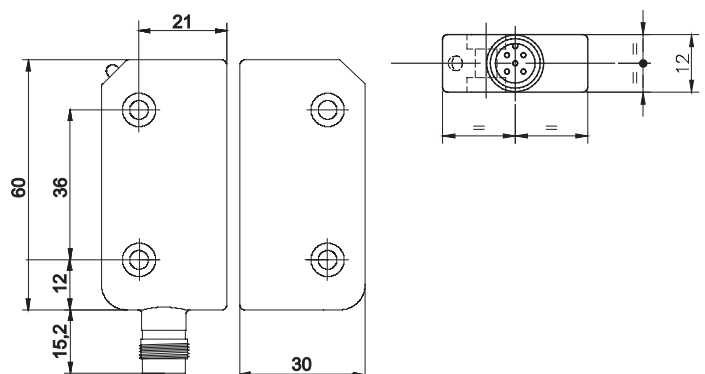
Serial connection of three Adam Dynamic-Reset M12-5 through M12-3A with individual Smile 12RF reset.

# Technical data

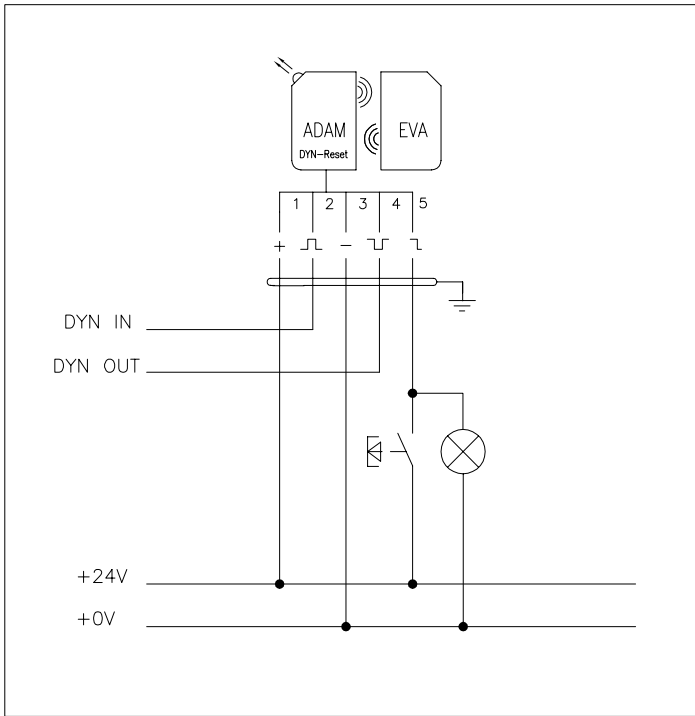
<b>Functional Safety Data</b> IEC/EN 61508-1...7 EN 62061 EN ISO 13849-1 EN 14119		SIL3 - PFH <sub>d</sub> 4.5 x 10 <sup>-9</sup> SIL3 PL e/Cat. 4 Type 4, High level coded with Eva Unique Low level coded with Eva general	<b>Conformity</b> EN ISO 12100:2010 EN ISO 13849-1:2008+AC:2009 EN 62061:2005+A1:2013 EN 60204-1:2006+A1:2009 EN 60664-1:2007 EN 61000-6-2:2005 EN 61000-6-4:2007 EN 60947-5-3:2013 EN ISO 14119:2013 EN 61508:2010
<b>Power supply</b> Rated operating voltage Power consumption Reset indication output Information output		24 VDC +15% / -45% 30 mA at 24 VDC Max 30 mA (Adam DYN-Reset) Max 15mA (Adam DYN-Info)	<b>Connections Adam DYN M12-5*</b> Brown (1) White (2) Blue (3) Black (4) Grey (5)
<b>Electrical data</b> Transponder frequency Max. switching frequency		4 MHz 1 Hz	+24 VDC Dynamic in 0 V Dynamic out Adam - Info: Information (+24 VDC when contact with Eva) Adam - Reset: Reset/indication
<b>Environmental data</b> EMC Ambient temperature Humidity range		EN 60947-5-3 :1999+A1:2005 -40°C ... +70°C (Storage) -40°C ... +70°C (Operation) 35% to 85% (no icing, no condensation)	<b>LED on Adam</b> Green: Flashing green: Flashing red/green: Red: Fast flashing green: Flashing red:
<b>Times</b> Switch-on delay power on Switch-on delay Eva in range Switch-off delay Eva missing Risk time		2 s <100 ms < 30 ms < 30 ms	Valid Eva within range, dynamic in OK (Safety circuit closed) Valid Eva within range, waiting for reset (Safety circuit open) Valid Eva within range, dynamic in missing (Safety circuit open) Valid Eva out of range (Safety circuit open) Valid Eva within 2 mm from the maxi- mum detection distance (Safety circuit closed) No Eva programmed (Safety circuit open)
<b>Mechanical data</b> Colour Weight Protection class Material - Housing Material - moulding Connector Rated operating distance Assured release distance (Sar) Assured operating distance (Sao) Recommended distance between Adam and Eva Min. distance between two Eden		Yellow and grey text Eva: 70 g Adam M12: 80 g IP67K and IP69K with a 0.6 Nm torque on M12 contact Polybutylene terephthalate (PBT) Epoxy M12 5-pole male 0-15 ± 2 mm (Hysteresis 1-2 mm) 25 mm 10 mm 7 mm <sup>1</sup> 100 mm	* Note: Colours according to ABB Jokab Safety standard cables

<sup>1</sup> The proximity of metal can influence the sensing distance. Use distance plates DA 1B to avoid it.

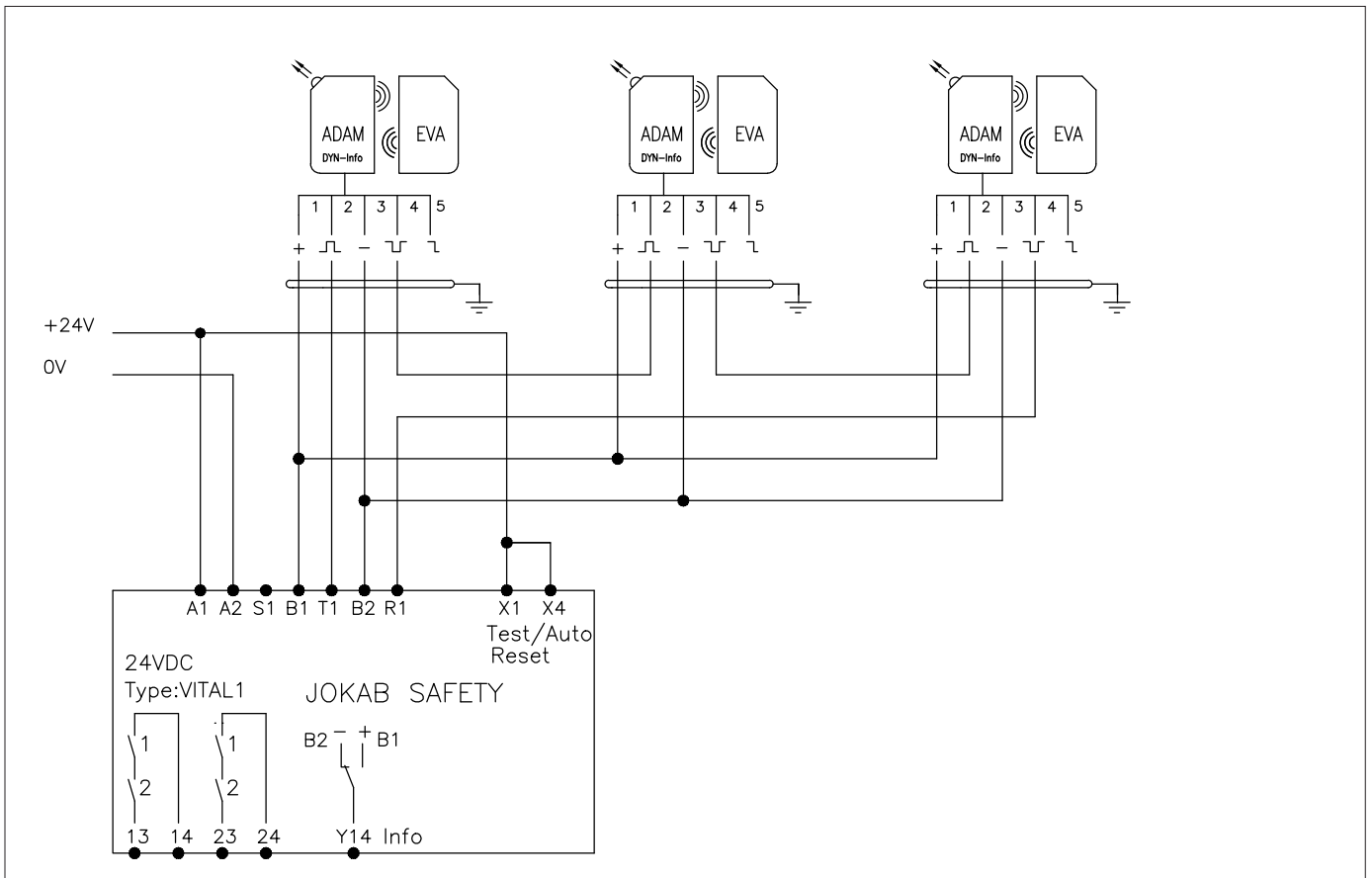
## Dimensions



Adam DYN-Reset with illuminated reset button



Several Adam DYN-Info connected in series to Vital 1 with automatic reset



# Models and ordering information

## Models

Adam DYN-Info M12-5	2TLA020051R5100	Adam DYN with M12-5 connector and information signal on pin 5.
Adam DYN-Reset M12-5	2TLA020051R5300	Adam DYN with M12-5 connector and possibility to connect a reset button to pin 5.
Eva General code	2TLA020046R0800	All Eva general code have the same code and can easily be replaced with each other.
Eva Unique code	2TLA020046R0900	Each Eva has a unique code. To be used when a high level coded sensor is necessary.

## Accessories

DA 3A	2TLA020053R0600	Mounting converting plate from Eden E to Eden OSSD or Eden DYN
SM4x20	2TLA020053R4200	Safety screw for mounting Adam and Eva
SBIT	2TLA020053R5000	Safety screwdriver bit
Smile 12RF Reset button	2TLA030053R2600	Reset button for Adam with 5 pins
M12-3A	2TLA020055R0000	Y-connector for serial connection of Adam DYN
M12-3B	2TLA020055R0100	Y-connector for parallel connection of Adam DYN
Torque wrench	2TLA020053R0900	For M12 contact

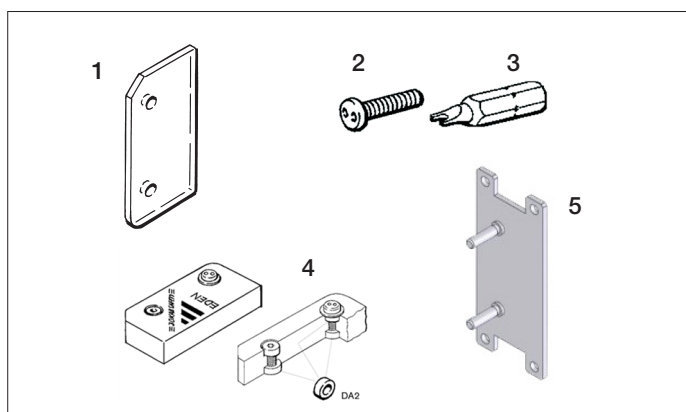
## Spare parts

DA 1B	2TLA020053R0700	Distance plate in yellow PBT. 4 pcs delivered with Adam.
DA 2B	2TLA020053R0300	Mounting spacer. 4 pcs delivered with Adam and 4 with Eva.

## Cables

M12-C61	2TLA020056R0000	Straight M12-5 female connector with 6 m shielded cable
M12-C101	2TLA020056R1000	Straight M12-5 female connector with 10 m shielded cable
M12-C201	2TLA020056R1400	Straight M12-5 female connector with 20 m shielded cable
M12-C112	2TLA020056R2000	Straight M12-5 female and male connectors with 1 m shielded cable.*
M12-C312	2TLA020056R2100	Straight M12-5 female and male connectors with 3 m shielded cable.*
M12-C612	2TLA020056R2200	Straight M12-5 female and male connectors with 6 m shielded cable.*
M12-C1012	2TLA020056R2300	Straight M12-5 female and male connectors with 10 m shielded cable.*
M12-C2012	2TLA020056R2400	Straight M12-5 female and male connectors with 20 m shielded cable.*

\* Shielded cable connected to pin 3 (0 V) on male connector.



### Accessories:

- 1 Protection plate DA 1B: 2TLA020053R0700
- 2 Safety screws, SM4 x 20: 2TLA020053R4200
- 3 SBIT: 2TLA020053R5000
- 4 DA 2B, Mounting spacer: 2TLA020053R0300
- 5 DA 3A, Mounting converting plate from Eden E: 2TLA020053R0600  
Supplied with two nuts

# Contact us

## **ABB AB**

### **Jokab Safety**

Varlabergsvägen 11

SE-434 39 Kungsbacka

Tel. +46 (0) 21-32 50 00

[www.abb.com/jokabsafety](http://www.abb.com/jokabsafety)

#### Note

We reserve the right to make technical changes or modify the contents of this document without prior notice. With regard to purchase orders, the agreed particulars shall prevail. ABB does not accept any responsibility whatsoever for potential errors or possible lack of information in this document.

We reserve all rights in this document and in the subject matter and illustrations contained therein. Any reproduction, disclosure to third parties or utilization of its contents - in whole or in parts - is forbidden without prior written consent of ABB.

Copyright© 2015 ABB  
All rights reserved



2TLC172009L0201