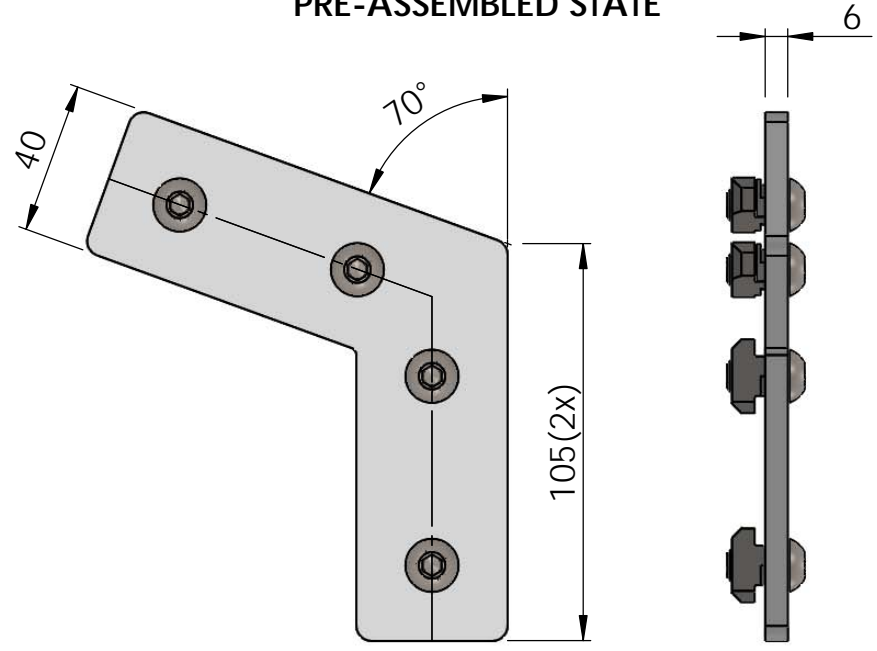
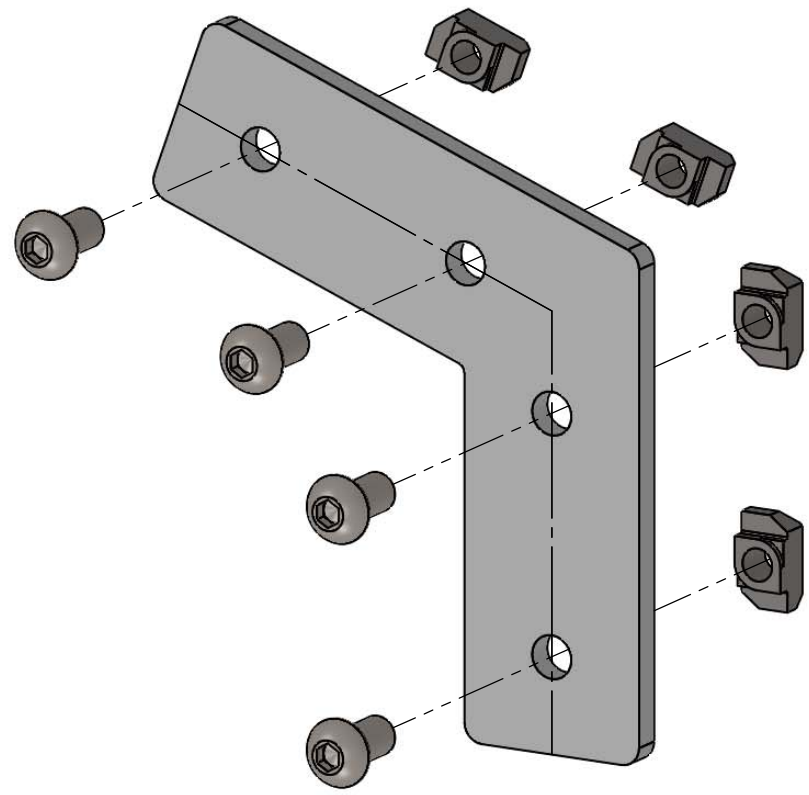


1 2 3 4 5 6

PART LIST					
Pos.	No.	ABB Article no.	Name / description	Material	Finish
1	1	42-103-08	JSM 44 ANGLE BRACKET 70°	EN-AW 5052	TRUMBLED
2	4	2TLJ041017R0100	HEX.SCREW K6S M8x16	STEEL 10.9	ZINC-PLATED
3	4	2TLA040035R0600	JSM M8B SPECIAL NUT M8	STEEL 8	ZINC-PLATED
-	1	850-0111	WELDING PLASTIC BAG,160x260x0,075	PE	TRANSP.
-	1	-	BOX LABEL, 70x41 MM	PAPER	WHITE

**PRE-ASSEMBLED STATE**



**Unless otherwise stated following applies**  
 Sharp edges broken  
 No remains from production (oil, burrs etc) allowed  
 All dimensions are in mm

ITEM MAY UNDER NO CIRCUMSTANCES CONTAIN SILICONE PRODUCTS

This document shall not be copied without our written permission, and the contents thereof shall not be disclosed to any third party, nor be used for any unauthorized purpose.

**ABB Jokab Article no: 2TLA040030R1800**  
 Old article no: xx-xxx-xx

Material	AL.	Finish	TRUMBLED	Dimension	Colour	-	General tolerance	ISO 2768 mK	surf.roughness	Ra 1,6				
Designed by	MH	Drawn by	MH	Appr. / Checked by	MS	Date created	160415	Date saved	2016-06-16	Proj.method	Format	A4	Scale	1:2
Owner	 ABB JOKAB SAFETY - 2013 ©			Title/Name		JSM 44-K ANGLE BRACKET 70 DEG								
				Drawing no.		52267-012			Revision		-		Sheet	1/1

1 2